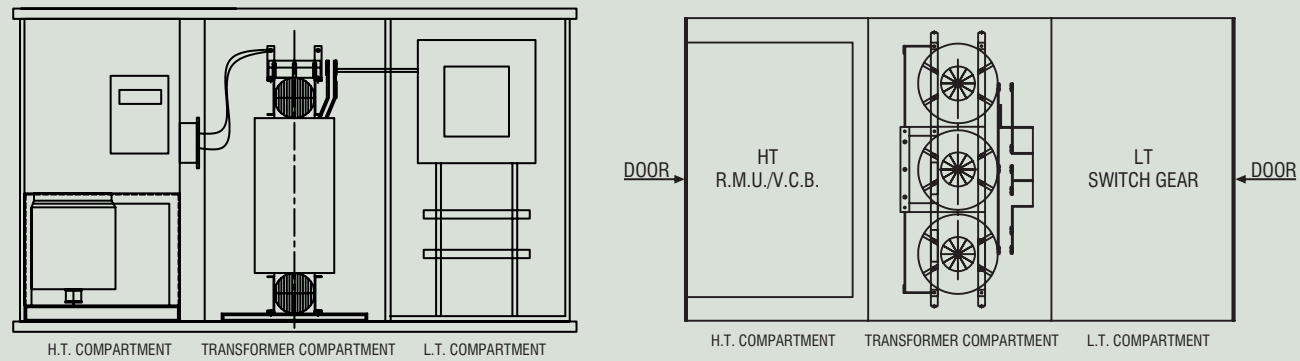


Various Compartments



View of USS from HT Compartment side

Overall Dimensions

Rating	Length (in mm)	Width (in mm)	Height (in mm)
Up to 500 KVA, 11KV/22KV	3000	2200	2400
Up to 1000 KVA, 11KV/22KV	3150	2300	2450
Up to 2500 KVA, 11KV/22KV	3300	2400	2600



Unitized/Packaged Sub-Station (USS/PSS)



Corporate Head Office

30 "B", Industrial Area, Govindpura, Bhopal (MP) INDIA-462023
 Tel: +91-755-2586778, 2586328, 4271973, 2581077
 Fax: +91-755-2581865
mktg@teslatransformers.com / projects@teslatransformers.com

UNIT-I

30 "B", Industrial Area, Govindpura, Bhopal-462023
 Tel: +91-755-2586778, 2586328, Fax: +91-755-2581865

UNIT-II

23A, Sector B, Industrial Area, Govindpura, Bhopal-462023
 Tel: +91-755-2586778, 2586328, Fax: +91-755-2581865

For Enquiries

Head Office - Bhopal	+91-9755557703	jitendra@teslatransformers.com
Branches		
Region	Mobile No.	Email
Northern	+91-7389900314	yasir@teslatransformers.com
Eastern - Kolkata	+91-9748753616	niherpaul@teslatransformers.com
Western - Mumbai/Pune/Hyderabad	+91-9967014407	3wmpowerproducts@gmail.com
Southern - Chennai	+91-9003063729	vignesh@teslatransformers.com
Central - Chattisgarh/Nagpur	+91-7389905881	sthakre@teslatransformers.com

www.teslatransformers.com

ANWORK 9009979796/9425372583



Tesla Transformers Ltd. is an ISO 9001: 2000, ISO 14001 & OHSAS 18001 certified and a reputed Power & Distribution Transformers manufacturing Company having sales, service network all over India. Our products are specially designed to withstand short circuit & impulse test in accordance to ANSI/AS/BS/ESCOM/IEC/IS/NEMA standards.

Unitized/Packaged Sub-Station (USS/PSS)

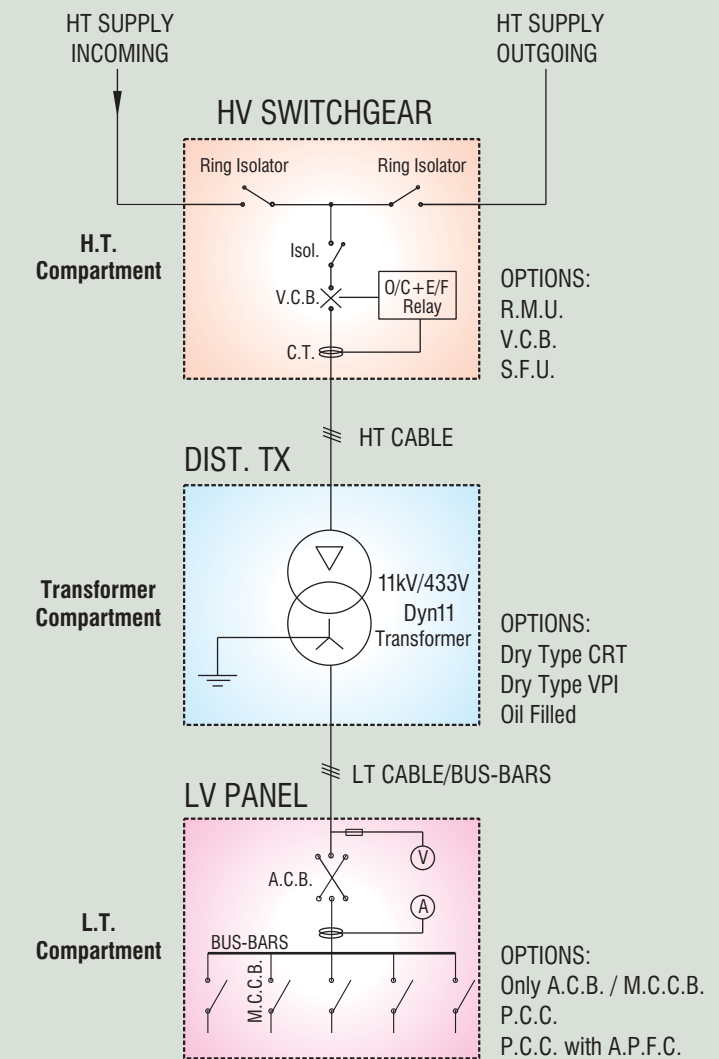
USS/PSS is used for feeding power from high voltage to low voltage in open cast mines, construction sites, metro cities etc. The substation is compact in size, suitable for frequent shifting and for use in indoor / outdoor locations. The substation is installed and mounted on skid frame or wheels or channels and is provided with lifting hooks



Salient Features

- Easy to operate, safe.
- Compact portable & ready to install
- Designed for better cooling
- All fasteners are SS/Steel Zinc plated.
- Transformer dry type or oil cooled
- Low maintenance
- Customer made design
- Superior aesthetics
- All compartments are provided with illumination
- In accordance with IEC 62271 , IEC 1331
- Suitable for all weathers

Schematic Drawing of USS



Tesla supplied 2500 KVA 33/0.433 KV USS with Cast Resin Transformer and GIS installed at Aura Mall Bhopal